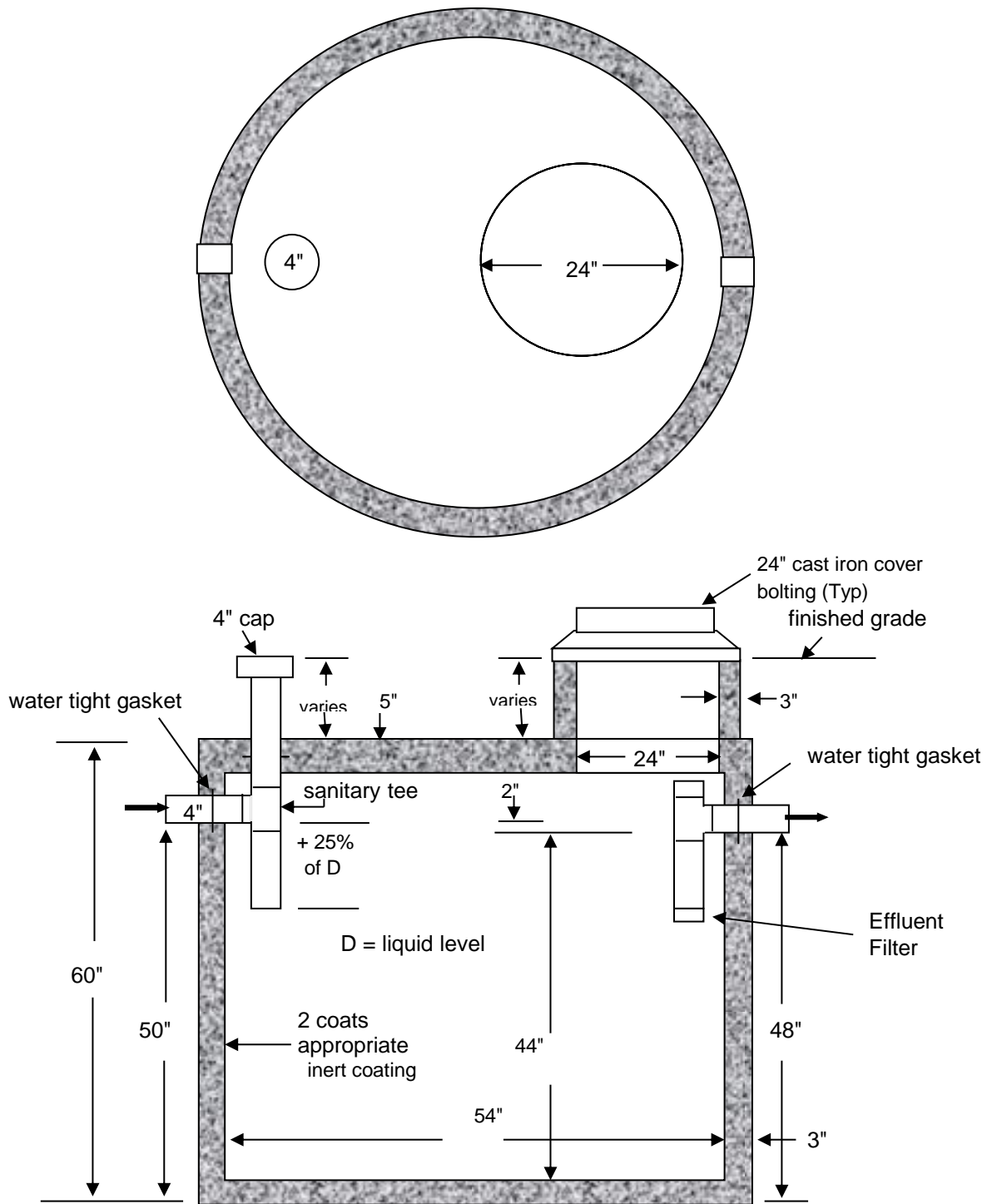


### 500 GALLON SEPTIC TANK



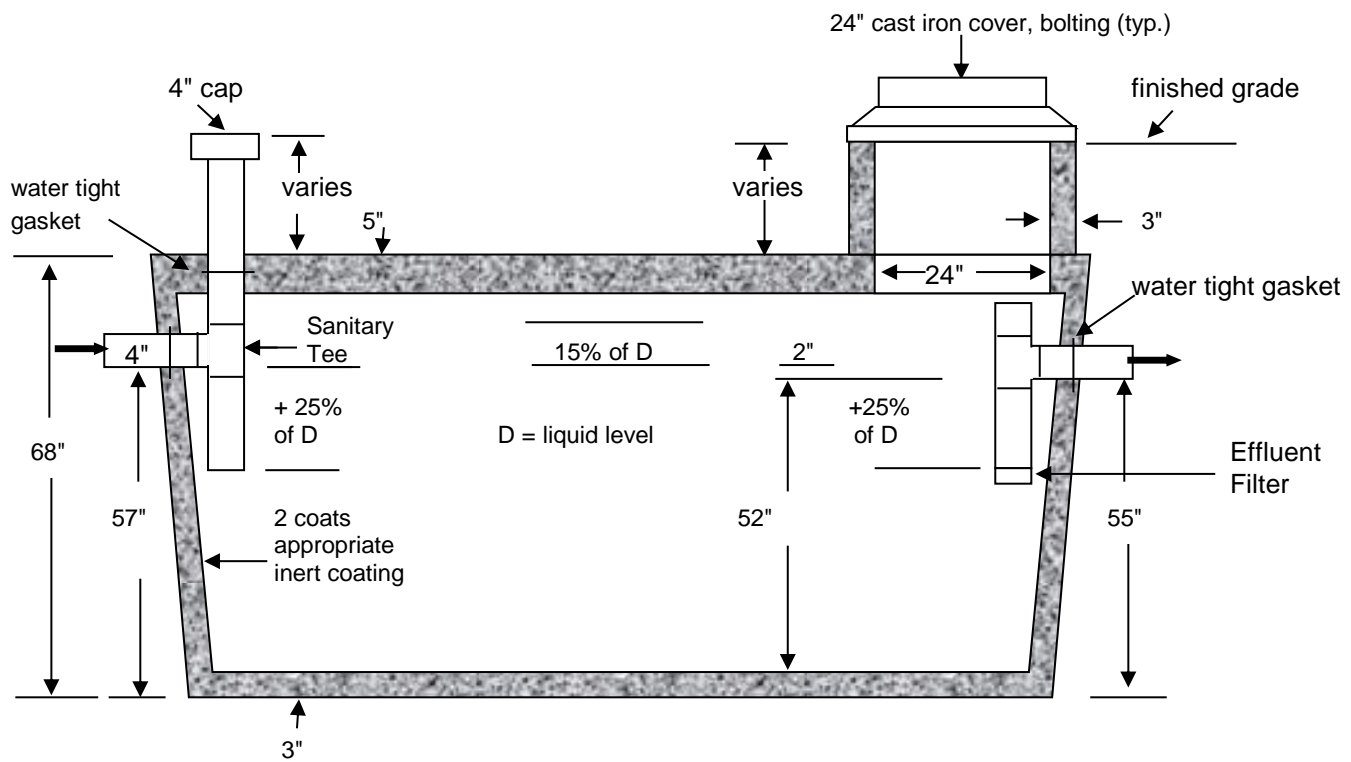
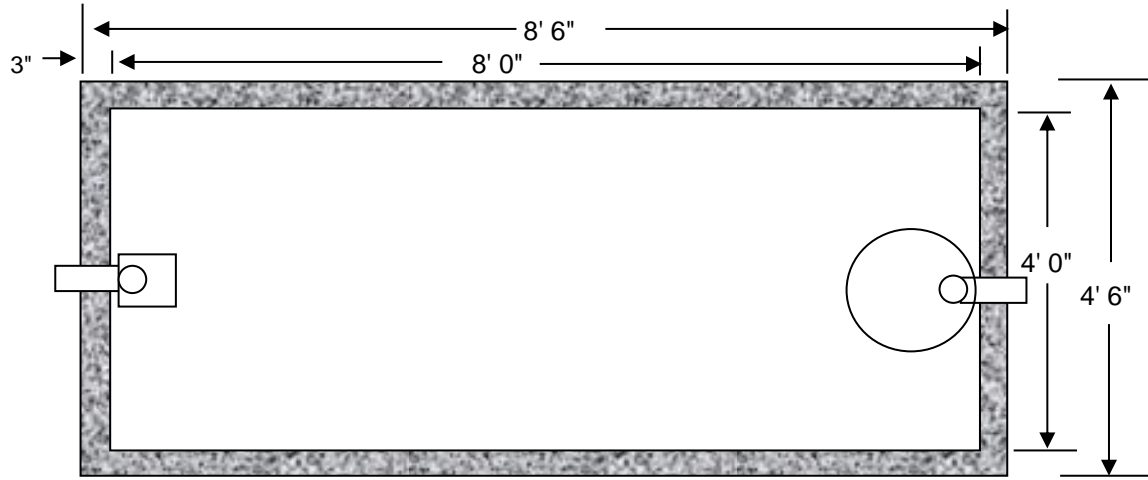
As Manufactured by Mershon Concrete - Bordentown, NJ

**Notes:**

1. Tank is 4000 psi concrete - steel reinforced
2. Concrete conforms to ACI 318-16-4.5.1 and ACI 318-16-4.5.2
3. Tank complies with all requirements of NJDEP Chapter 199 7:9A-8.2
4. In an effort to continually improve our products, Mershon Concrete reserves the right to change product design without notice.

 Rt. 130, PO Box 254 Bordentown, NJ 08505	1-609-298-2150
	1-800-MERSHON
	1-609-298-7969 / FAX#
	500 Gallon Septic Tank

### 1000 GALLON SEPTIC TANK



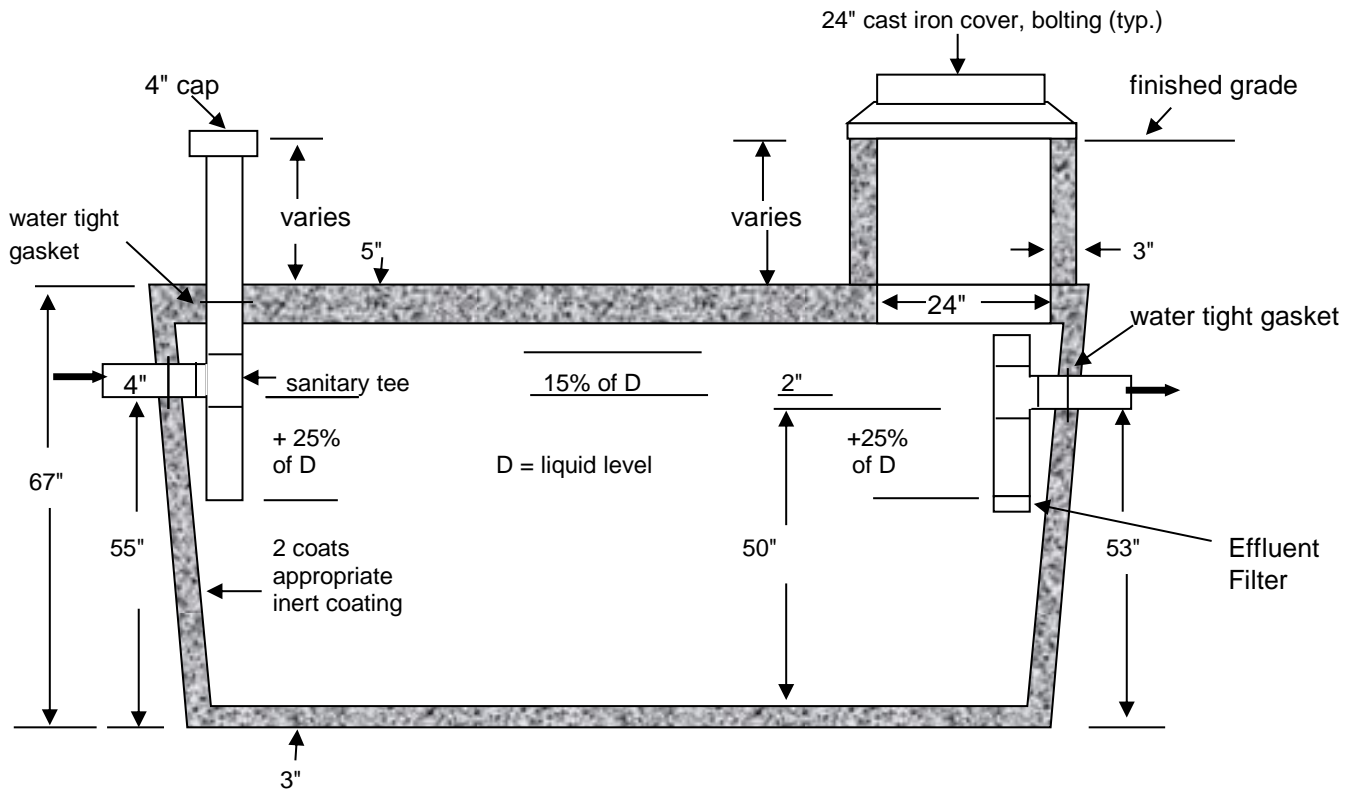
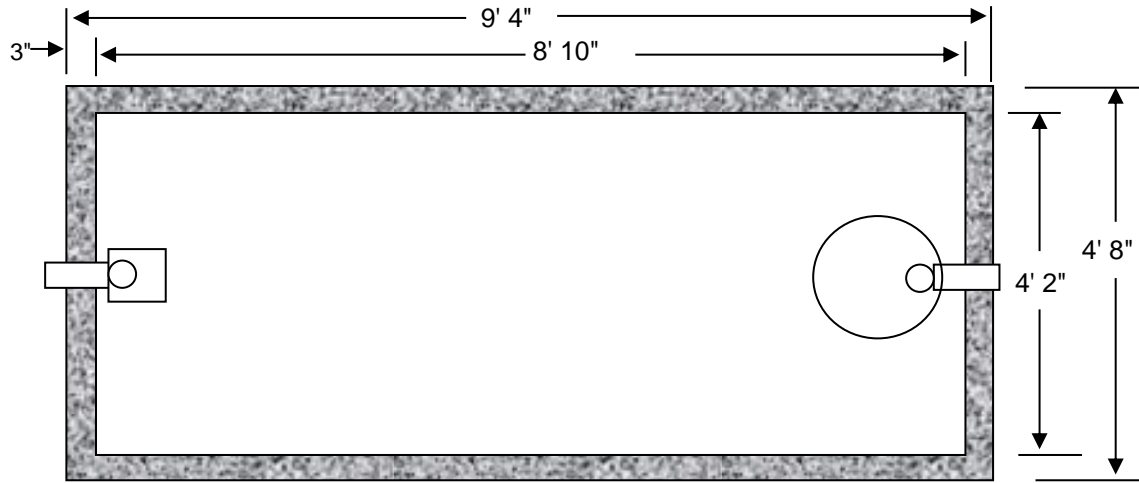
As Manufactured by Mershon Concrete - Bordentown, NJ

**Notes:**

1. Tank is 4000 psi concrete - steel reinforced
2. Concrete conforms to ACI 318-16-4.5.1 and ACI 318-16-4.5.2
3. Tank complies with all requirements of NJDEP Chapter 199 7:9A-8.2
4. In an effort to continually improve our products, Mershon Concrete reserves the right to change product design without notice.

 <p>Rt. 130, PO Box 254 Bordentown, NJ 08505</p>	1-609-298-2150
	1-800-MERSHON
	1-609-298-7969 / FAX#
	1000 Gallon Septic Tank

1000 GALLON SEPTIC TANK



As Manufactured by Mershon Concrete - Bordentown, NJ

Notes:

1. Tank is 4000 psi concrete - steel reinforced
2. Concrete conforms to ACI 318-16-4.5.1 and ACI 318-16-4.5.2
3. Tank complies with all requirements of NJDEP Chapter 199 7:9A-8.2
4. In an effort to continually improve our products, Mershon Concrete reserves the right to change product design without notice.

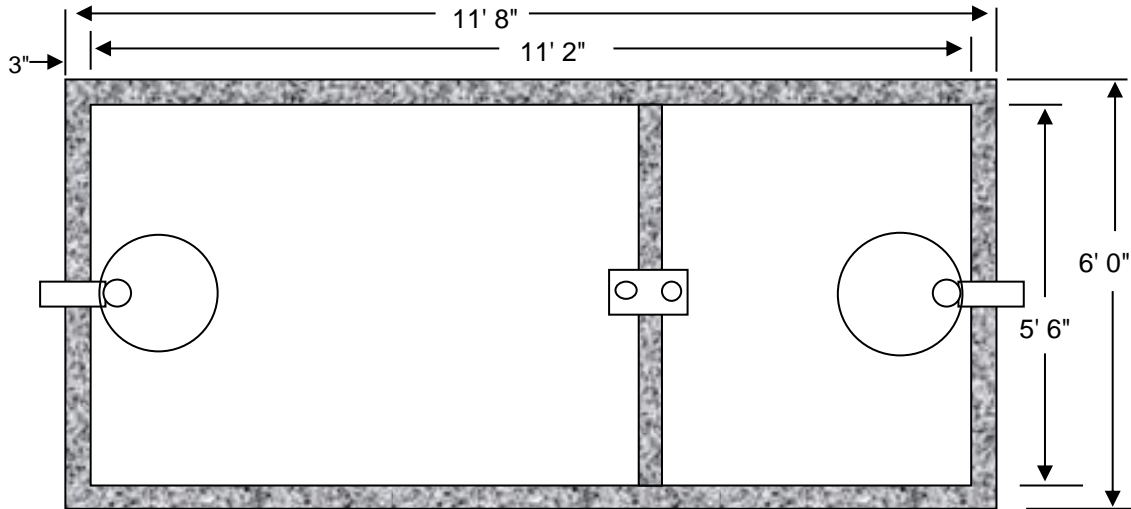
 <p><b>M E R S H O N</b> C O N C R E T E</p> <p>Rt. 130, PO Box 254 Bordentown, NJ 08505</p>	1-609-298-2150
	1-800-MERSHON
	1-609-298-7969 / F
	1000 Gallon Septic

Non-traffic bearing

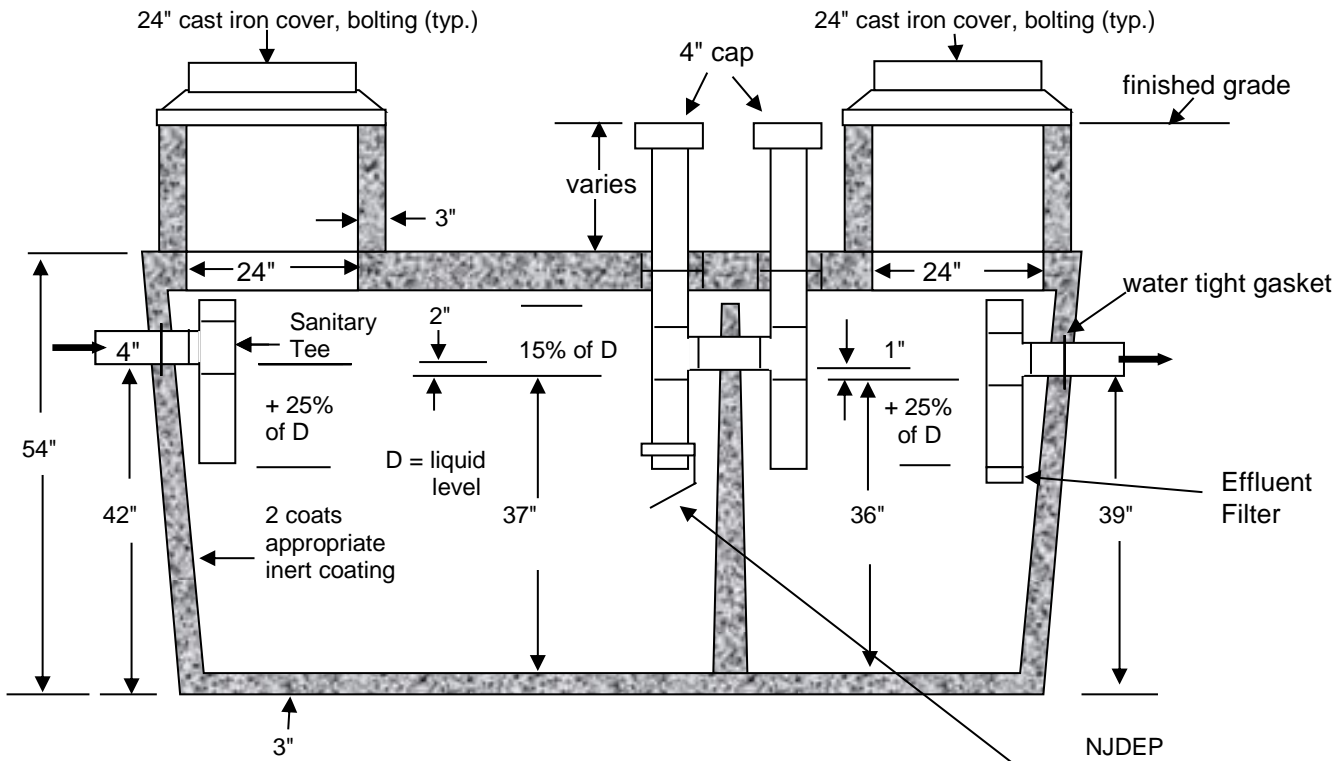
Cast iron manhole and extensions sold separately

FAX#
; Tank

1300 (2 COMPARTMENT) SEPTIC TANK



Compartments are 2/3 & 1/3 per NJDEP specifications



As Manufactured by Mershon Concrete - Bordentown, NJ

NJDEP approved gas deflector as manufactured by Tuffite Inc.

Notes:

1. Tank is 4000 psi concrete - steel reinforced
2. Concrete conforms to ACI 318-16-4.5.1 and ACI 318-16-4.5.2
3. Tank complies with all requirements of NJDEP Chapter 199 7:9A-8.2
4. In an effort to continually improve our products, Mershon Concrete reserves the right to change product design without notice.

<p>Rt. 130, PO Box 254 Bordentown, NJ 08505</p>	1-609-298-2150
	1-800-MERSHON
	1-609-298-7969 / F
	1300 (2 Comp) Se

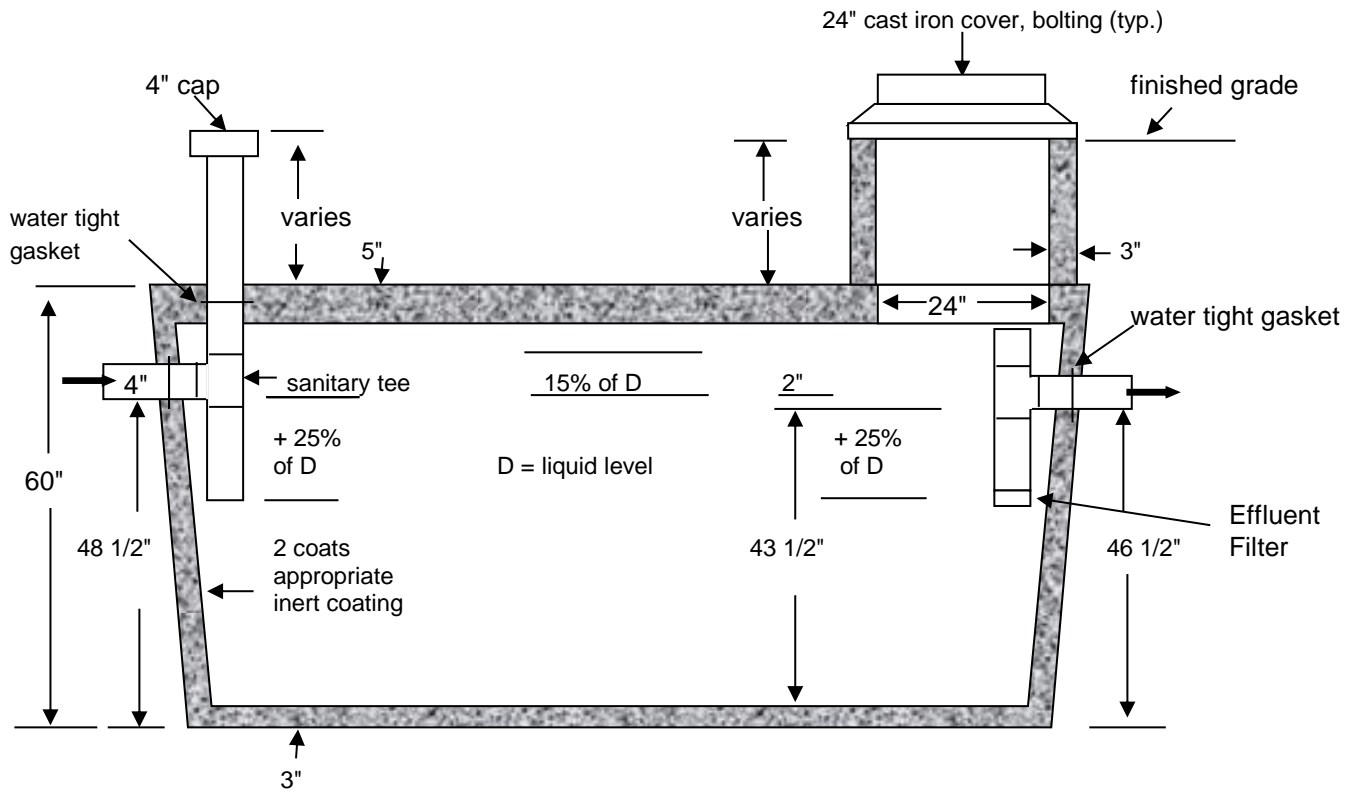
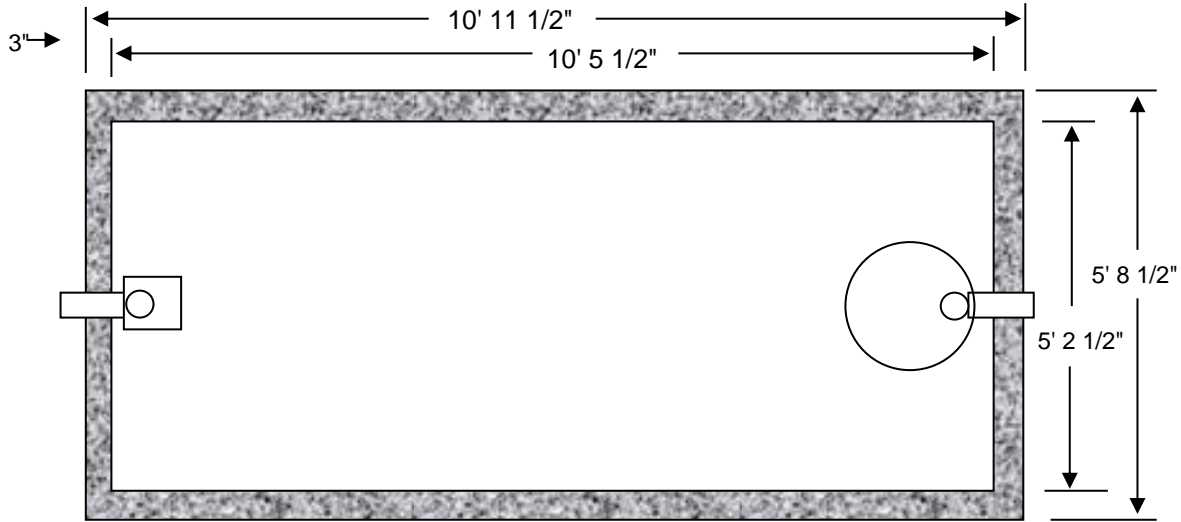
Non-traffic bearing

Cast iron manholes and extensions sold separately



AX#
ptic Tank

### 1350 GALLON SEPTIC TANK



As Manufactured by Mershon Concrete - Bordentown, NJ

**Notes:**

1. Tank is 4000 psi concrete - steel reinforced
2. Concrete conforms to ACI 318-16-4.5.1 and ACI 318-16-4.5.2
3. Tank complies with all requirements of NJDEP Chapter 199 7:9A-8.2
4. In an effort to continually improve our products, Mershon Concrete reserves the right to change product design without notice.

<p><b>MERSHON</b> CONCRETE</p>	1-609-298-2150
	1-800-MERSHON
	1-609-298-7969 / F
	1350 Gallon Septic
Rt. 130, PO Box 254 Bordentown, NJ 08505	

Non-traffic bearing

Cast iron manhole and extensions sold separately

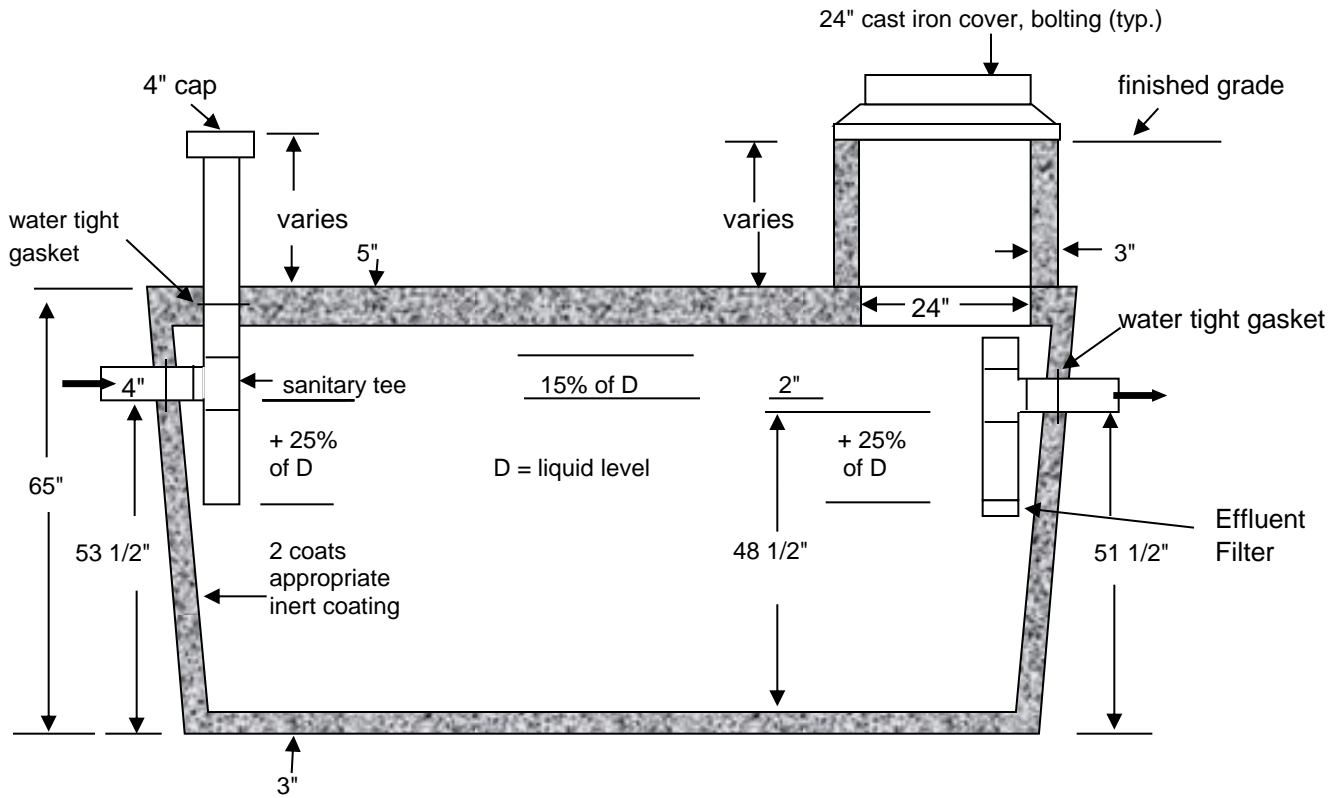
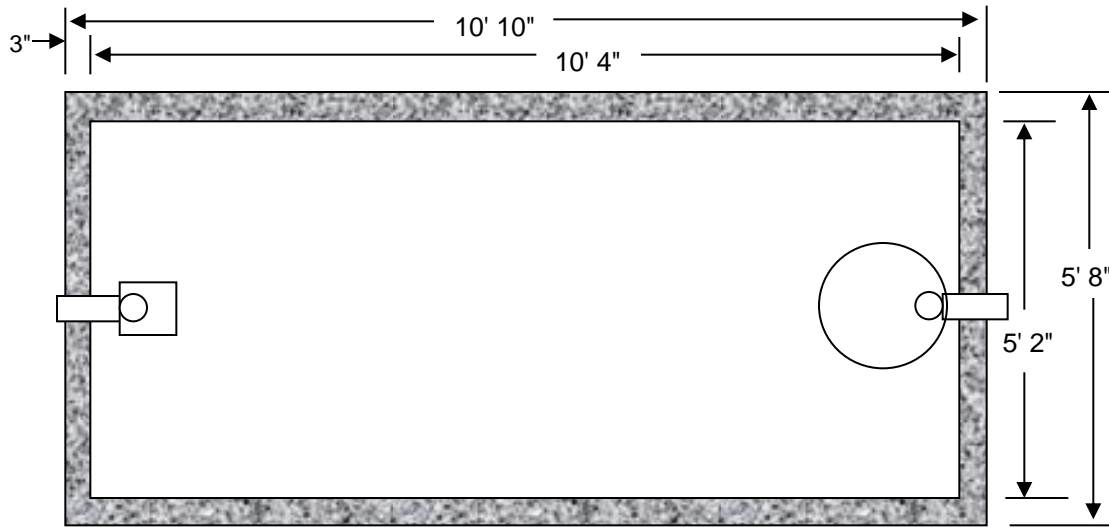


FAX#

; Tank



### 1500 GALLON SEPTIC TANK



As Manufactured by Mershon Concrete - Bordentown, NJ

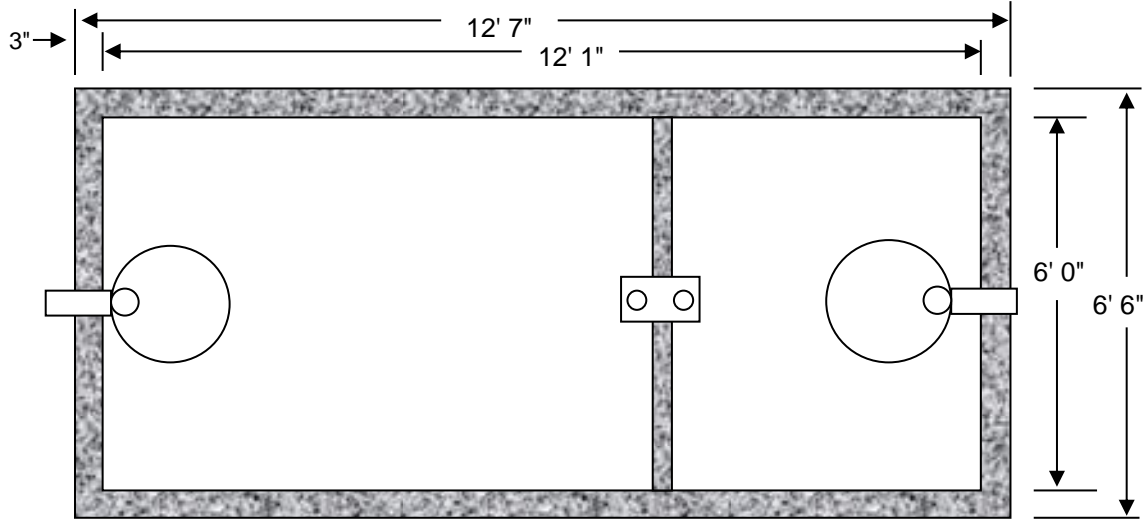
**Notes:**

1. Tank is 4000 psi concrete - steel reinforced
2. Concrete conforms to ACI 318-16-4.5.1 and ACI 318-16-4.5.2
3. Tank complies with all requirements of NJDEP Chapter 199 7:9A-8.2
4. In an effort to continually improve our products, Mershon Concrete reserves the right to change product design without notice.

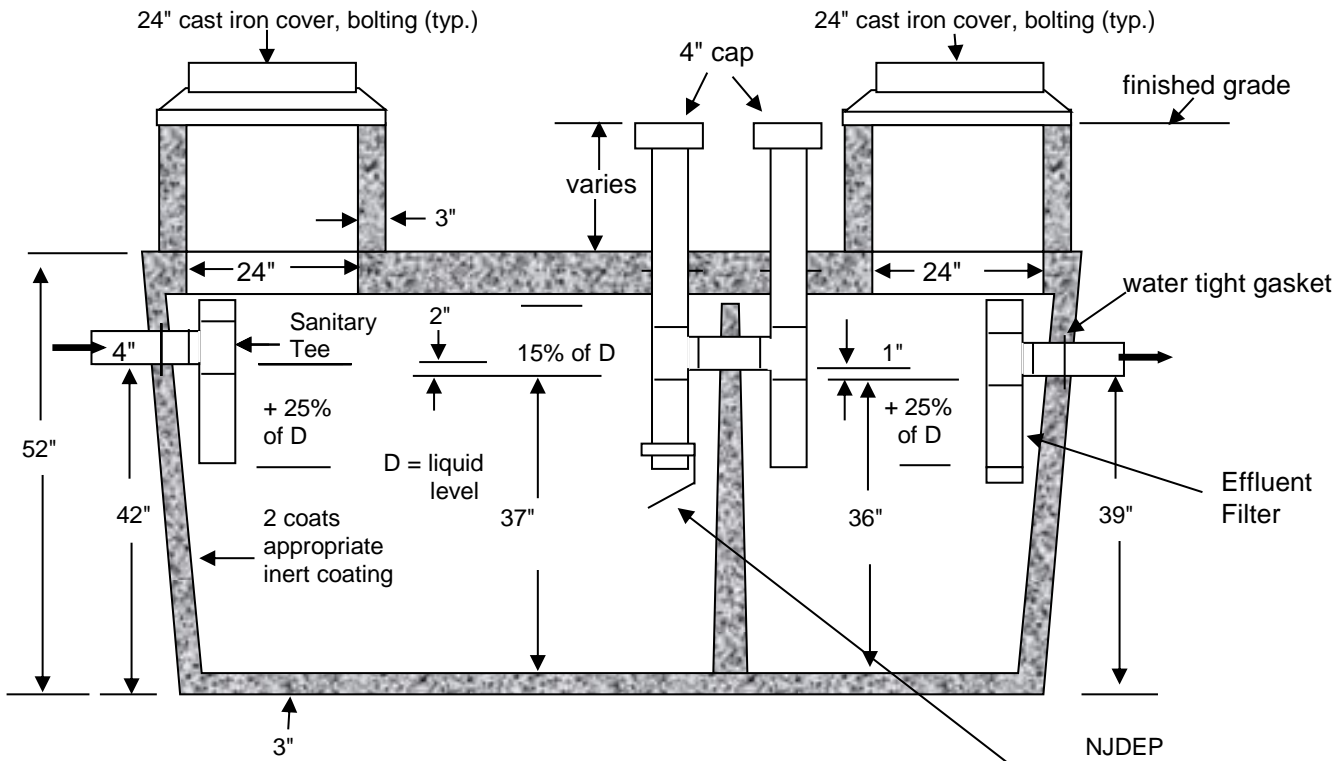
 <p>MERSHON CONCRETE</p>	1-609-298-2150
	1-800-MERSHON
	1-609-298-7969 / FAX#
	1500 Gallon Septic Tank

Rt. 130, PO Box 254  
Bordentown, NJ 08505

### 1500 (2 COMPARTMENT) SEPTIC TANK



Compartments are 2/3 & 1/3 per NJDEP specifications



As Manufactured by Mershon Concrete - Bordentown, NJ

NJDEP approved gas deflector as manufactured by Tuffite Inc.

**Notes:**

1. Tank is 4000 psi concrete - steel reinforced
2. Concrete conforms to ACI 318-16-4.5.1 and ACI 318-16-4.5.2
3. Tank complies with all requirements of NJDEP Chapter 199 7:9A-8.2
4. In an effort to continually improve our products, Mershon Concrete reserves the right to change product design without notice.

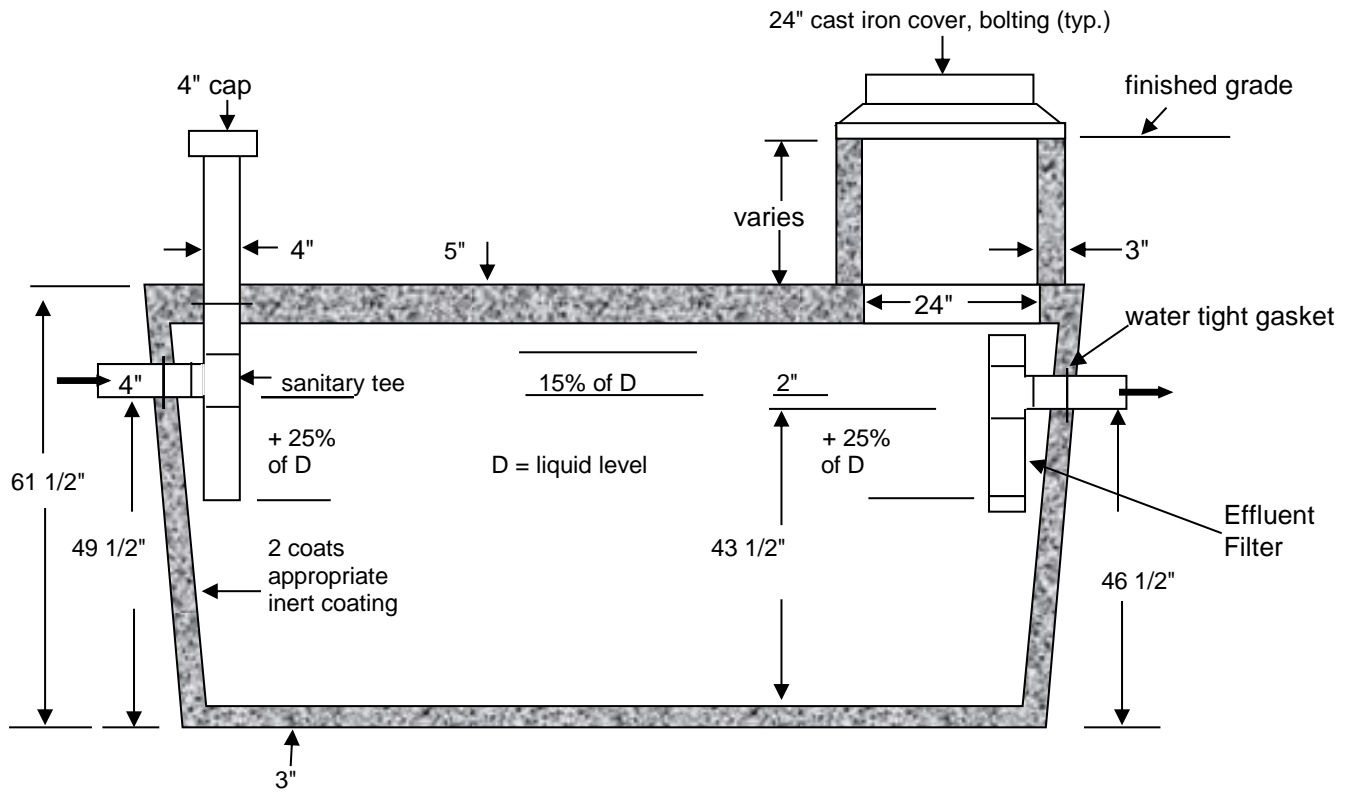
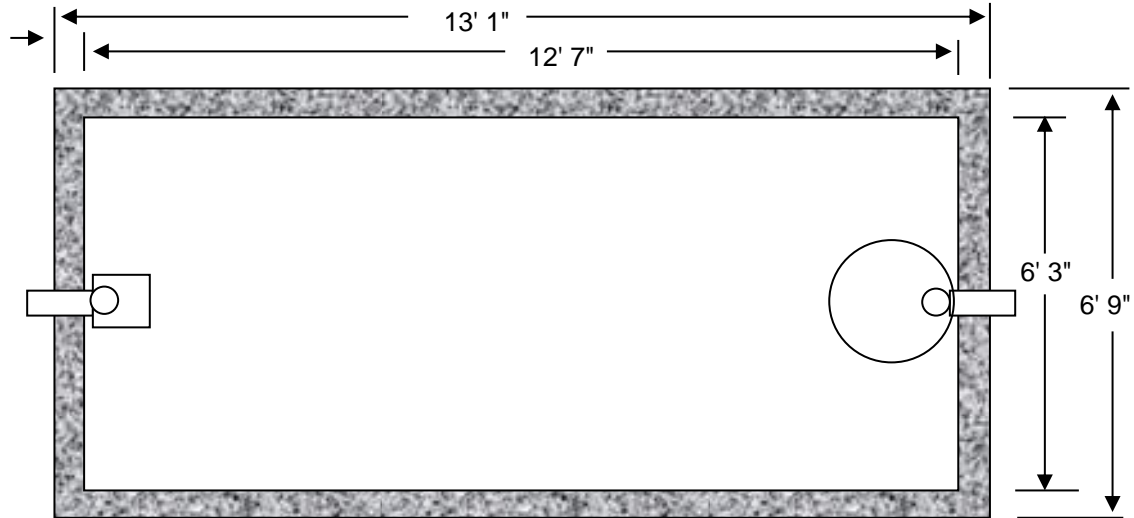
<p><b>MERSHON</b> CONCRETE</p>	1-609-298-2150
	1-800-MERSHON
	1-609-298-7969 / F
	1500 (2 Comp) Se
Rt. 130, PO Box 254 Bordentown, NJ 08505	

Non-traffic bearing

Cast iron manholes and extensions sold separately



### 2000 GALLON SEPTIC TANK



As Manufactured by Mershon Concrete - Bordentown, NJ

**Notes:**

1. Tank is 4000 psi concrete - steel reinforced
2. Concrete conforms to ACI 318-16-4.5.1 and ACI 318-16-4.5.2
3. Tank complies with all requirements of NJDEP Chapter 199 7:9A-8.2
4. In an effort to continually improve our products, Mershon Concrete reserves the right to change product design without notice.

**MERSHON**  
CONCRETE

Rt. 130, PO Box 254  
Bordentown, NJ 08505

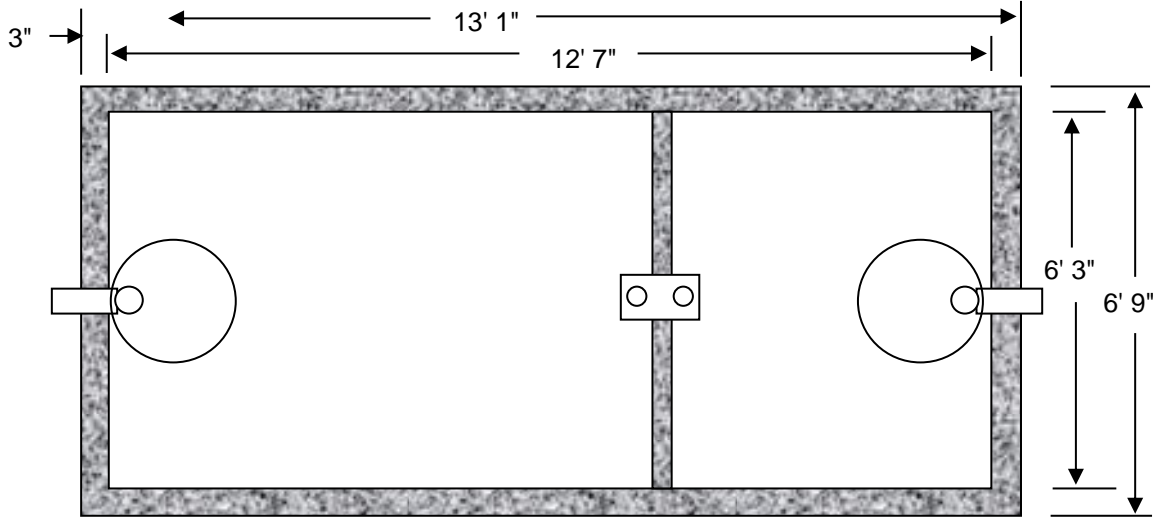
1-609-298-2150

1-800-MERSHON

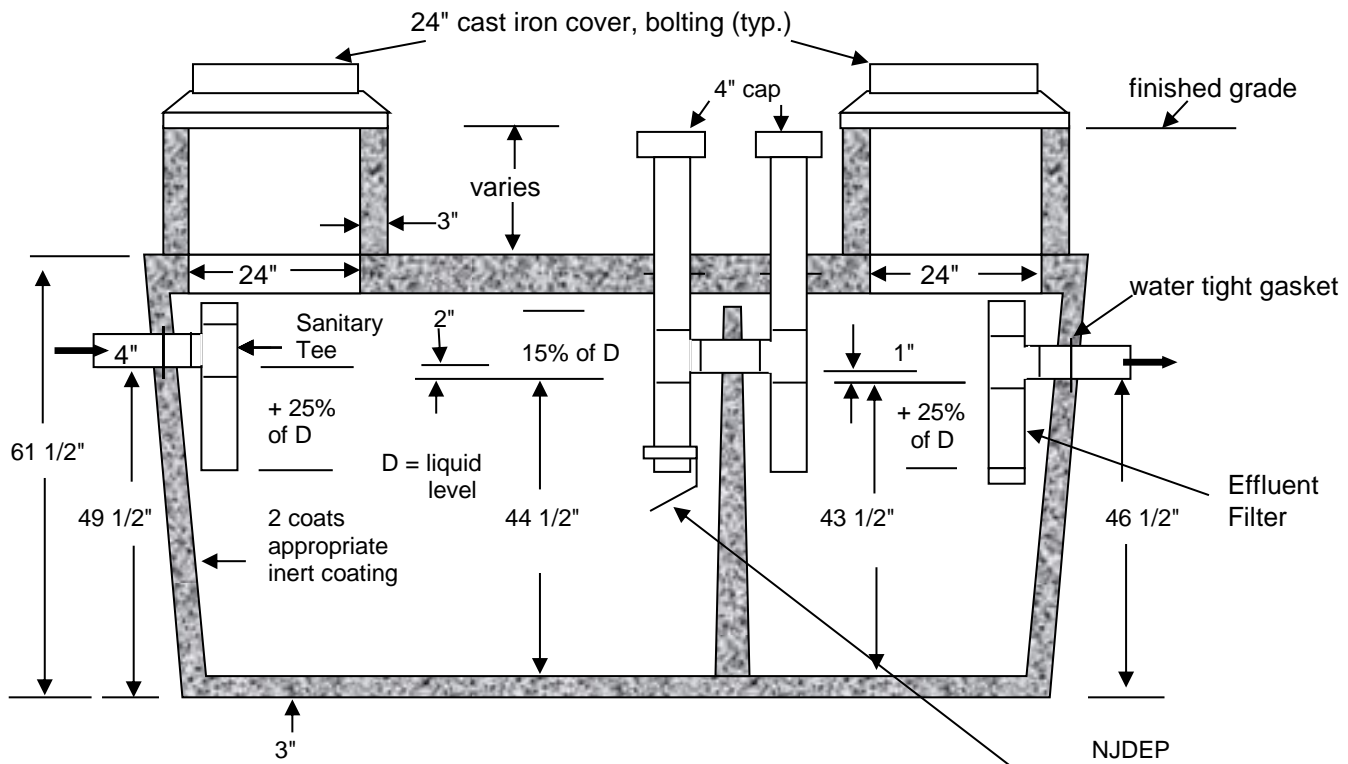
1-609-298-7969 / FAX#

2000 Gallon Septic Tank

2000 GALLON (2 COMPARTMENT) SEPTIC TANK



Compartments are 2/3 & 1/3 per NJDEP specifications



As Manufactured by Mershon Concrete - Bordentown, NJ

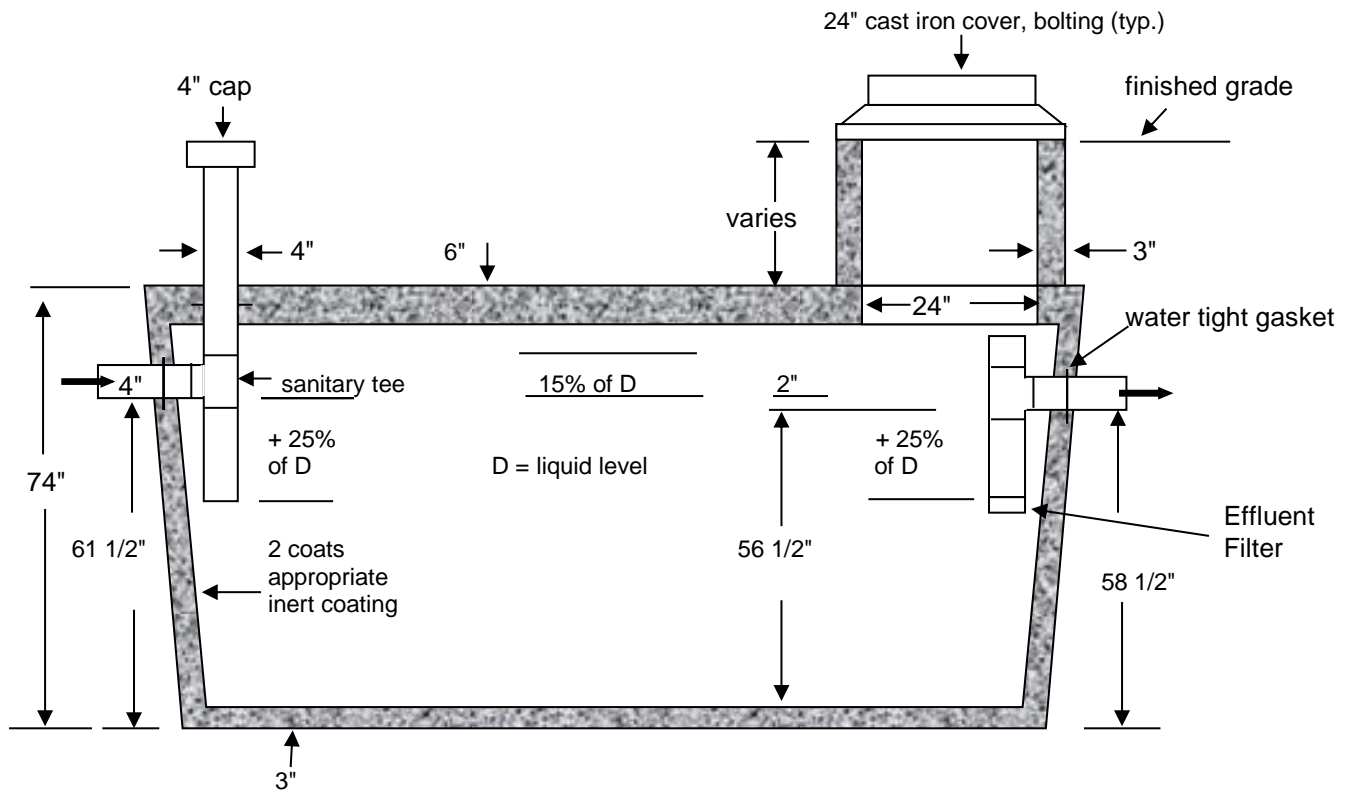
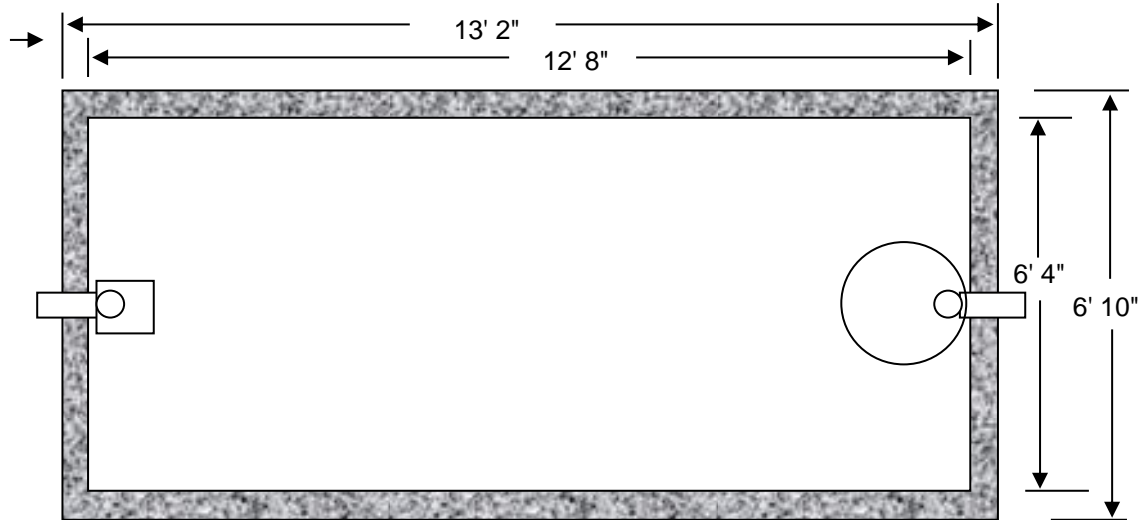
Notes:

1. Tank is 4000 psi concrete - steel reinforced
2. Concrete conforms to ACI 318-16-4.5.1 and ACI 318-16-4.5.2
3. Tank complies with all requirements of NJDEP Chapter 199 7:9A-8.2
4. In an effort to continually improve our products, Mershon Concrete reserves the right to change product design without notice.

<p><b>MERSHON</b> CONCRETE</p>	1-609-298-2150
	1-800-MERSHON
	1-609-298-7969 / FAX
	2000 (2 Comp) Septic
Rt. 130, PO Box 254 Bordentown, NJ 08505	



### 2500 GALLON SEPTIC TANK



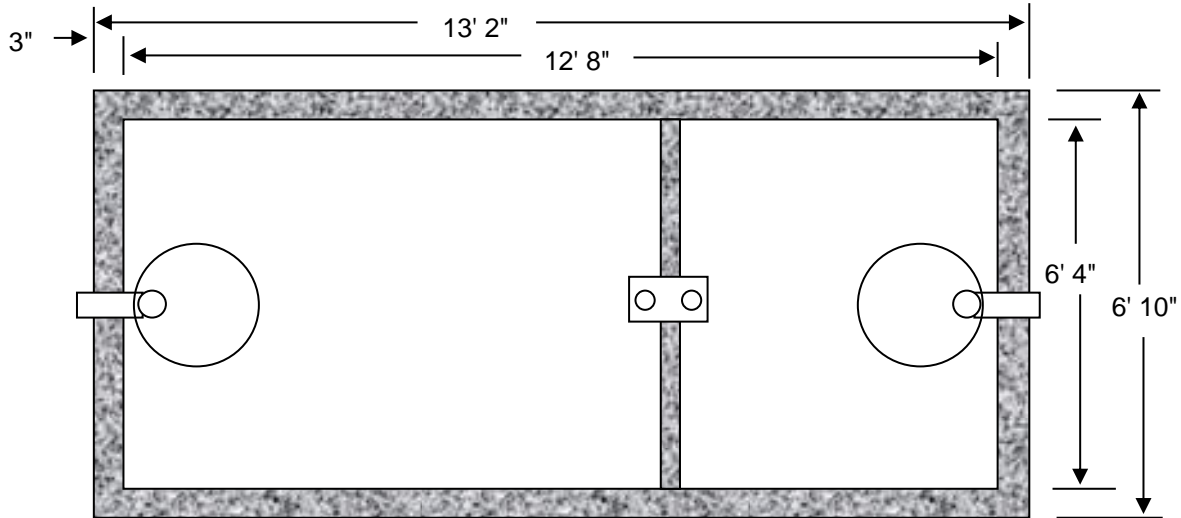
As Manufactured by Mershon Concrete - Bordentown, NJ

**Notes:**

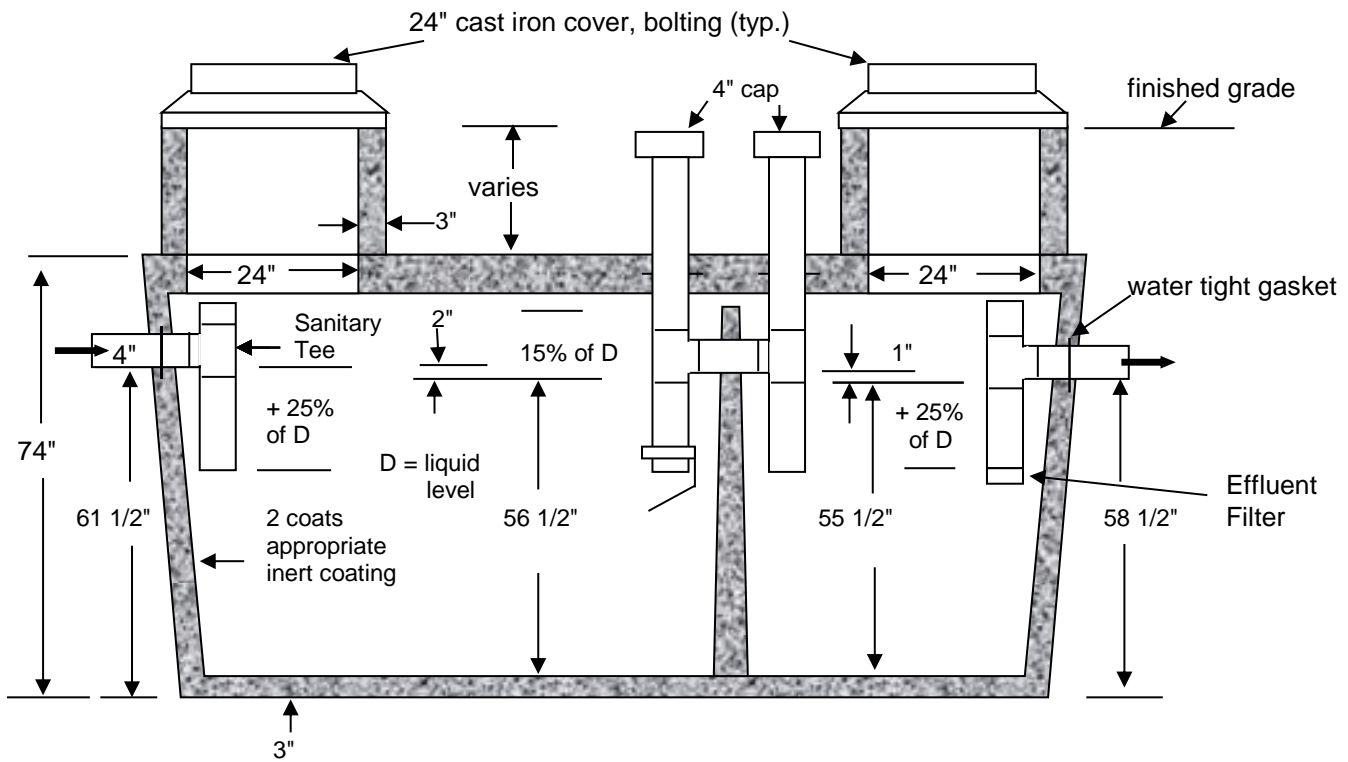
1. Tank is 4000 psi concrete - steel reinforced
2. Concrete conforms to ACI 318-16-4.5.1 and ACI 318-16-4.5.2
3. Tank complies with all requirements of NJDEP Chapter 199 7:9A-8.2
4. In an effort to continually improve our products, Mershon Concrete reserves the right to change product design without notice.

 <p>Rt. 130, PO Box 254 Bordentown, NJ 08505</p>	1-609-298-2150
	1-800-MERSHON
	1-609-298-7969 / FAX#
	2500 Gallon Septic Tank

### 2500 GALLON (2 COMPARTMENT) SEPTIC TANK



Compartments are 2/3 & 1/3 per NJDEP specifications



As Manufactured by Mershon Concrete - Bordentown, NJ

**Notes:**

1. Tank is 4000 psi concrete - steel reinforced
2. Concrete conforms to ACI 318-16-4.5.1 and ACI 318-16-4.5.2
3. Tank complies with all requirements of NJDEP Chapter 199 7:9A-8.2
4. In an effort to continually improve our products, Mershon Concrete reserves the right to change product design without notice.



Rt. 130, PO Box 254  
Bordentown, NJ 08505

1-609-298-2150

1-800-MERSHON

1-609-298-7969 / FAX#

2500 (2 Comp) Septic Tank